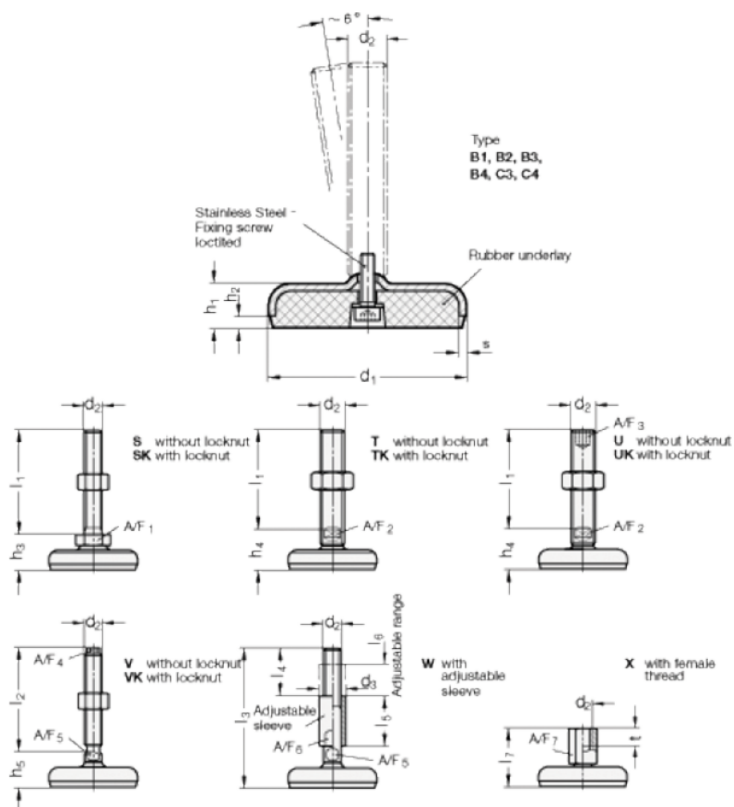


Article number: 2031100M12125B3SK

Description: E+G levelling foot  
GN 31-100-M12-125-B3-SK

Note: SK With nut, External hexagon at the bottom

## Measures



A/F1-	= 17
d1	= 100
d2	= 12
h1	= 18
h2	= 5
h3 +4.0/0	= 26
l1	= 125
s	= 3